

LINE ITEM	DESIGNATION	BURROUGHS NO.	DESCRIPTION	QTY.	LINE ITEM	DESIGNATION	BURROUGHS NO.	DESCRIPTION	QTY.
		1431 9990	F. C. BOARD ASSEMBLY						
1	C1	1431 7127	Cap., 4 uf, 60C VAC	1	23	R2	1265 9728	Resistor, 2K, 1W, 5%	1
2	C2	1431 7135	Cap., 325 uf, 150V	1	24	R3	1432 0949	Resistor, 1.5 ohm, 1/2W, 5%	1
3	C3	1431 7143	Cap., 2000 uf, 50V	1	25	R4	1114 8913	Resistor, 2.57K, 1/2W, 1%	1
4	C4	1431 7150	Cap., 30000 uf, 15V	1	26	R5	1265 8928	Resistor, 150, 3W, 5%	1
5	C5,6	1431 7168	Cap., 18000 uf, 15V	2	27	R6	1114 8996	Resistor, 5.11K, 1/2W, 1%	1
6	C7	1431 7176	Cap., 40000 uf, 10V	1	28	R7,15,16,9	1114 3832	Resistor, 1K, 1/2W, 1%	3
7	C8	1196 6587	Cap., .1 uf, 25 V	1	29	R8	1114 8905	Resistor, 2.15K, 1/2W, 1%	1
8	C9	1104 2959	Cap., .001 uf, 25V	1	30				
9	C10	1101 5955	Cap., 100 uf, 10V	1	31	R10	1119 5850	Resistor, 2K, Var.	1
10	C11, 12	1431 7598	Cap., Ceramic, .001	2	32	R11	1114 8962	Resistor, 3.62K, 1/2W, 1%	1
11	F1	1432 1061	Fuse, 12 amp, 3 AG	1	33	R12	1431 6986	Resistor, 1.3, 1/2W, 5%	1
12	F2	1431 7218	Fuse, 1/2 amp	1	34	R13,19	1114 8582	Resistor, 110, 1/2W, 1%	2
13	F3,5	1431 7200	Fuse, 3/8 amp	2	35	R14	1114 8509	Resistor, 51.1, 1/2W, 1%	1
14	F4	1432 1053	Fuse, 2 amp	1	36	R17	1114 8525	Resistor, 61.9 ohm, 1/2W, 1%	1
15	F6	1431 7663	Fuse, 1.5 amp	1	37	R18	1114 8616	Resistor, 147, 1/2W, 1%	1
16	K1	1431 9982	Relay, Reed 5V	1	38	CR1-8, 11-13 CR17 & CR 18	1126 3779	Diode, IN4004	15
17	L1	1431 2441	Choke, 4 MH	1	39	CR9,10	1431 6954	Diode, IN5624	2
18	Q1	1471 4794	Transistor 2N3015	1	40	CR14	1431 6962	Diode, Zener IN5229B	1
19	Q2	1431 7184	Transistor, 2N3771 3V @ SAB > 35	1	41	CR15,16	1431 4745	Diode, IN1199A	2
20	Q3,5	1109 5924	Transistor, Type AK	2	42	SCR1	1431 7192	S. C. Rectifier 2N58P1	1
21	Q4	1120 0482	Transistor, Type AT	1	43	T1	1431 7465	Transformer 50/60 Hz.	1
22	R1	1100 6160	Resistor, 28K, 3W, 1%	1	44	VR1	2204 9472	Voltage Reg. MC14652	1
					45	C13	1104 2454	Cap., .02uf, 50V	1
					46	R20	1114 8590	Resistor, 121 Ohm 1/2 W 1%	1

DIMENSIONS AND TOLERANCES UNLESS OTHERWISE SPECIFIED, CONFORM TO THE FOLLOWING: FRACTIONAL: DECIMAL: .001 ANGULAR:	AS SHOWN	UNLESS OTHERWISE SPECIFIED	Burroughs Corporation CONTRACT NO. 1431 7515 REV. 10/68		QUANTITIES 10000 100000	DATE 10/68
	APPROVED	DATE				
			CONTRACT NO.	1431 7515	REV.	10/68

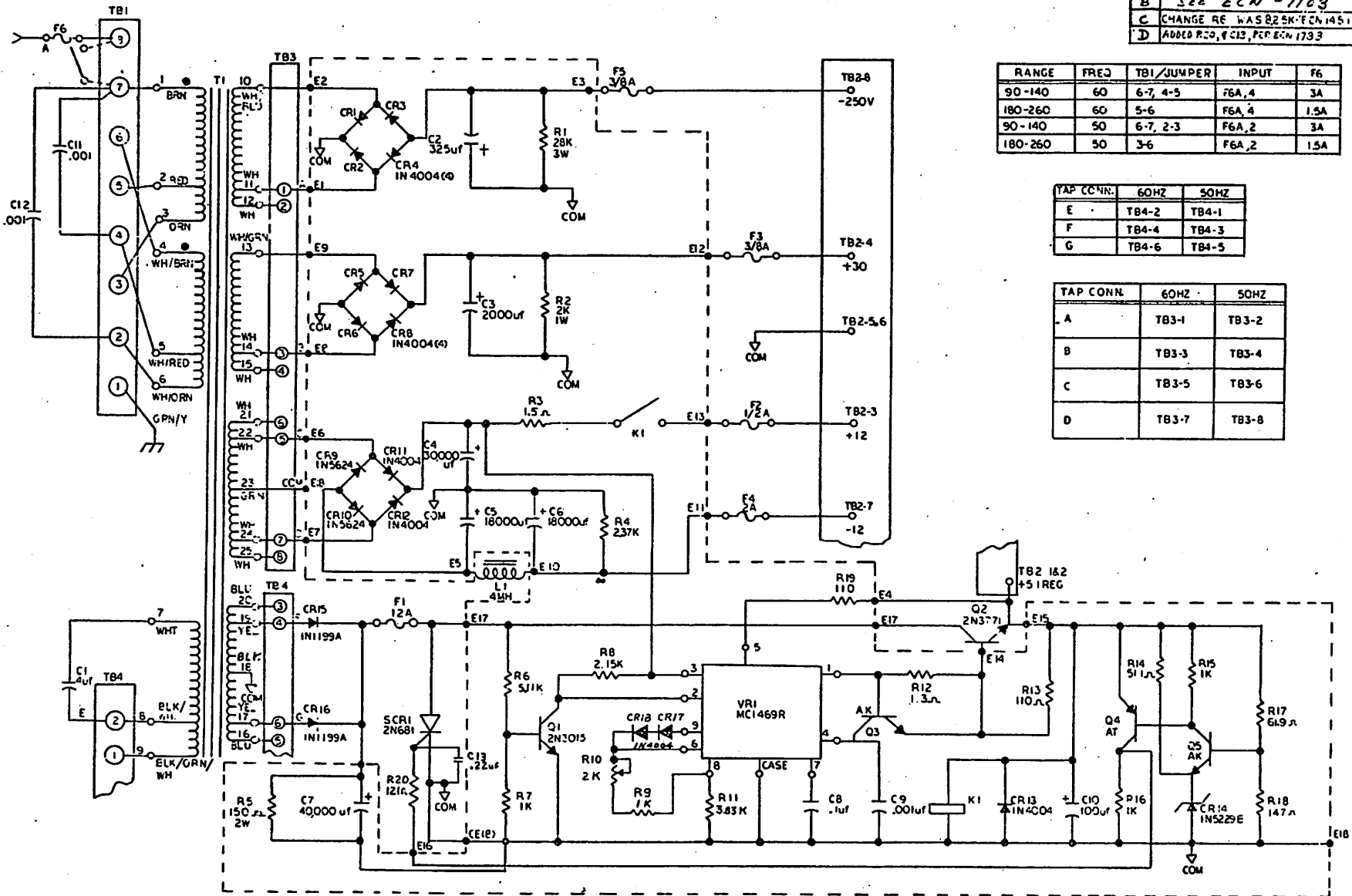
(1431 7515 - Rev D)

REV	DESCRIPTION	DATE
A	RELEASE	5-25-72
B	SEE ECN #1103	9-1-72
C	CHANGE RE WAS 825K ECN 1451	8-22-72
D	ADDED P.C. # C13, PER ECN 1733	1/31/73

RANGE	FREQ	TB1/JUMPER	INPUT	F6
90-140	60	6-7, 4-5	F6A, 4	3A
180-260	60	5-6	F6A, 4	1.5A
90-140	50	6-7, 2-3	F6A, 2	3A
180-260	50	3-6	F6A, 2	1.5A

TAP CONN.	60HZ	50HZ
E	TB4-2	TB4-1
F	TB4-4	TB4-3
G	TB4-6	TB4-5

TAP CONN.	60HZ	50HZ
A	TB3-1	TB3-2
B	TB3-3	TB3-4
C	TB3-5	TB3-6
D	TB3-7	TB3-8



NOTES:

1. ALL RESISTORS ARE 1/2 WATT UNLESS OTHERWISE INDICATED.
2. REVISIONS TO THIS DWG. MUST BE NOTED UNDER "APPLICABLE DOCUMENTS" OF DWG. NO. 1431 9941 P.C. BOARD ETCHED. SIZE "B"

DIMENSIONS ARE IN INCHES
UNLESS OTHERWISE SPECI-
FIED. TOLERANCES ARE AS
FOLLOWS:
FRACTIONAL: .00
DECIMAL: .000
ANGULAR: .000

SPAWN A&A 2-72
CHECKED
DESIGNED BY
APPROVED
APPROVED

Burroughs Corporation
COMPONENTS GROUP
HOLLYWOOD FLORIDA
CONTRACT NO. SCALE:

SCHEMATIC
50/60HZ
POWER SUPPLY

C 14317515 SH 1 OF 2 D